



WA UNIVERSAL



RIGGING - CRANES - TRANSPORT

ABN:42609983959 ACN: 609983959

T: (08)9309 1973

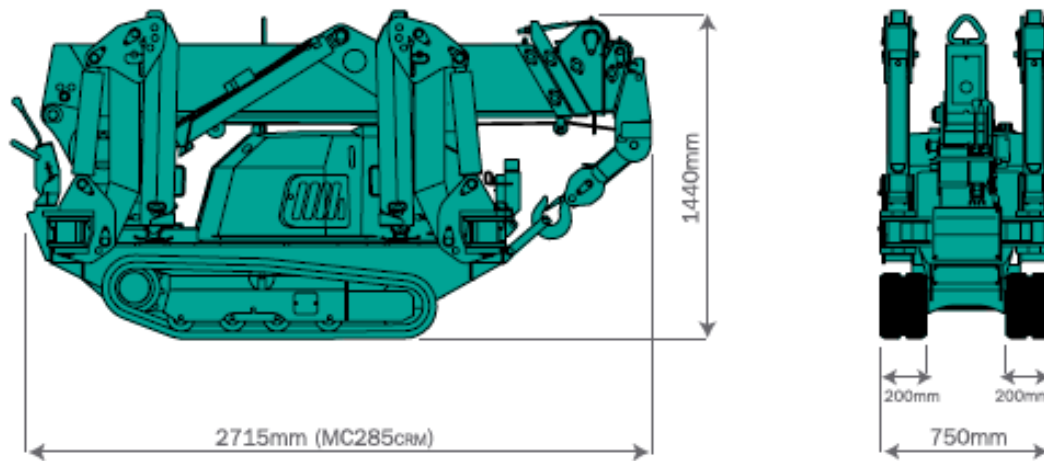
PO BOX 1021 WANGARA WA 6947

E: waurc@waurc.com.au

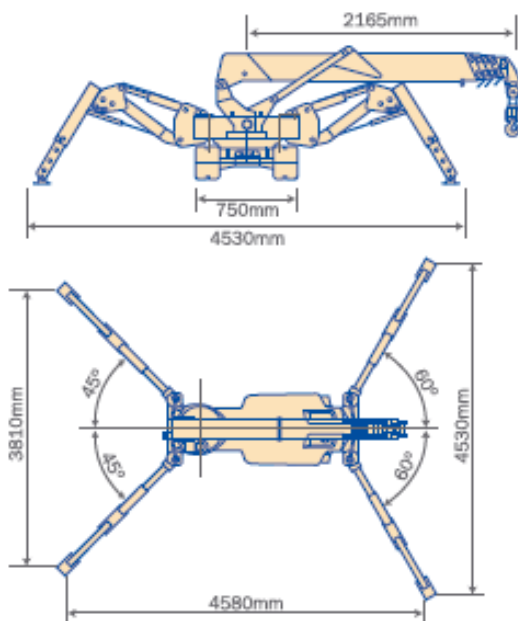
Maeda MC285c

Dimensions

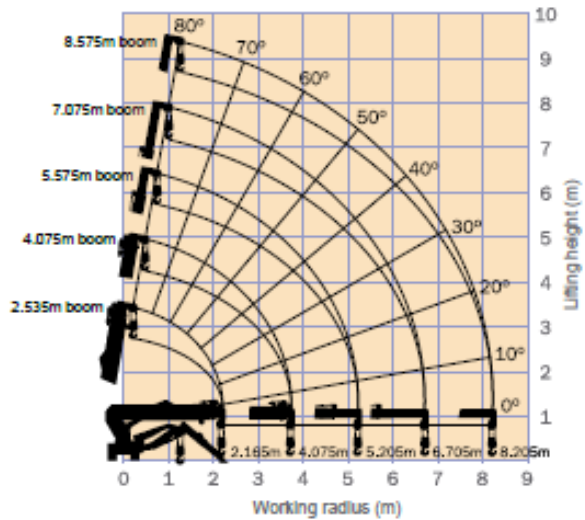
Overall Size



Outrigger Spread Dimensions



Working Range Chart



The Working Range Chart does not take into account boom deflection under load.

The maximum reach below ground level is:

Four Fall	Two Fall	Single Fall
10.10m	20.20m	40.20m

WA UNIVERSAL



WA UNIVERSAL



RIGGING - CRANES - TRANSPORT

ABN:42609983959 ACN: 609983959

T: (08)9309 1973

PO BOX 1021 WANGARA WA 6947

E: waurc@waurc.com.au

Maeda MC285c

Load Charts

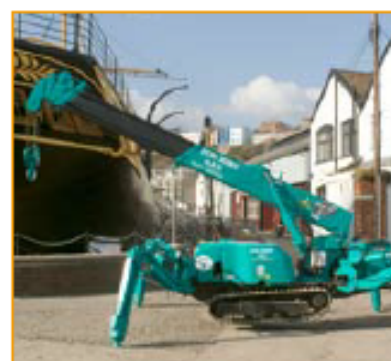
Total rated load Outriggers at Maximum position

4.075m boom		5.575m boom		7.075m boom		8.575m boom	
Working radius (m)	Total rated load (kg)	Working radius (m)	Total rated load (kg)	Working radius (m)	Total rated load (kg)	Working radius (m)	Total rated load (kg)
< 1.4	2620	< 3.0	1220	< 3.6	820	< 4.0	550
1.5	2520	3.5	970	4.0	740	4.5	400
2.0	1920	4.0	780	4.5	580	5.0	340
2.5	1570	4.5	630	5.0	480	5.5	300
3.0	1220	5.0	530	5.5	430	6.0	270
3.5	970	5.205	530	6.0	380	6.5	230
3.705	920			6.5	350	7.0	200
				6.705	330	7.5	180
						8.0	150
						8.205	150



Rated Total Load Chart with outrigger extended to other than maximum

4.075m boom		5.575m boom		7.075m boom		8.575m boom	
Working radius (m)	Total rated load (kg)	Working radius (m)	Total rated load (kg)	Working radius (m)	Total rated load (kg)	Working radius (m)	Total rated load (kg)
< 1.5	1640	< 3.0	480	< 3.6	380	< 4.0	310
2.0	1010	3.5	390	4.0	310	4.5	260
2.5	590	4.0	310	4.5	250	5.0	210
3.0	490	4.5	230	5.0	210	5.5	170
3.5	370	5.0	180	5.5	170	6.0	130
3.705	300	5.205	170	6.0	130	6.5	120
				6.5	110	7.0	90
				6.705	100	7.5	70
						8.0	60
						8.205	50



The Total Rated Load Charts are based on the actual working radius including boom deflection. The weight of the hook (standard 4 fall - 20kg) must be included as part of the load shown in the Total Rated Load Charts.

When using two fall or single fall hooks, use the appropriate four fall Total Rated Load Chart above but with a maximum load of: Two Fall - 1410kg, Single Fall - 710kg.



WA UNIVERSAL



RIGGING - CRANES - TRANSPORT

ABN:42609983959 ACN: 609983959

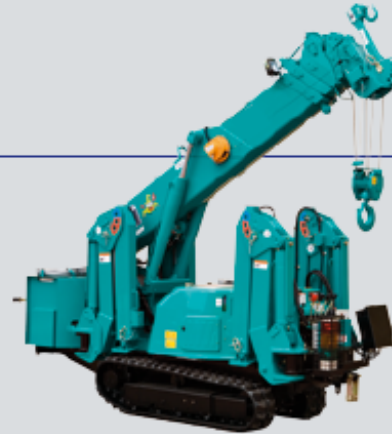
T: (08)9309 1973

PO BOX 1021 WANGARA WA 6947

E: waurc@waurc.com.au



Maeda MC285c Technical specifications



Offering the best
balance of power
and design

- Slim (750mm)
Wide Body
- Programmable
Moment Limiter
(Optional)
- Rubber Tracks
- Hydrostatic
Transmission
- Tilt Sensor/Alarm
- Track System for
Easier Manoeuvring
- Powerful Winch with
Hydraulic Disc Brake
- Fully Automatic
Pentagonal
Section Boom
- Cable Remote
Controller

Specification

Model	MC285C										
Crane capacity	2.82 t x 1.4m										
Max. working radius	6.205m										
Max. lifting height	6.7m										
Hook speed	6m / min. (4 falls, 4th layer)										
Single line speed	32m / min. (4th layer)										
Hoist rope	IWRC 6 x FI (29) 7mm x 48m										
Telescopic system	<table border="0"> <tr> <td>Boom length</td> <td>2.535m - 6.575m</td> </tr> <tr> <td>Telescoping speed</td> <td>6.04m / 22 sec.</td> </tr> <tr> <td>Boom type</td> <td>Fully automatic 5 section pentagonal telescopic boom</td> </tr> </table>	Boom length	2.535m - 6.575m	Telescoping speed	6.04m / 22 sec.	Boom type	Fully automatic 5 section pentagonal telescopic boom				
Boom length	2.535m - 6.575m										
Telescoping speed	6.04m / 22 sec.										
Boom type	Fully automatic 5 section pentagonal telescopic boom										
Boom hoist system	<table border="0"> <tr> <td>Hoist angle / speed</td> <td>0 - 80° / 14 sec.</td> </tr> </table>	Hoist angle / speed	0 - 80° / 14 sec.								
Hoist angle / speed	0 - 80° / 14 sec.										
Slew system	<table border="0"> <tr> <td>Slew angle / speed</td> <td>360° continuous / 2.3 rpm</td> </tr> </table>	Slew angle / speed	360° continuous / 2.3 rpm								
Slew angle / speed	360° continuous / 2.3 rpm										
Outrigger system	<table border="0"> <tr> <td>Type</td> <td>4 Multi position box type with lock valves</td> </tr> <tr> <td>Maximum extended dimensions</td> <td>(Length) 4580mm x (Front) 4530mm x (Rear) 3610mm</td> </tr> </table>	Type	4 Multi position box type with lock valves	Maximum extended dimensions	(Length) 4580mm x (Front) 4530mm x (Rear) 3610mm						
Type	4 Multi position box type with lock valves										
Maximum extended dimensions	(Length) 4580mm x (Front) 4530mm x (Rear) 3610mm										
Traction system	<table border="0"> <tr> <td>Drive</td> <td>Hydrostatic type, stepless forward and reverse</td> </tr> <tr> <td>Travel speed</td> <td>0 - 2.2 km/h</td> </tr> <tr> <td>Gradability</td> <td>20°</td> </tr> <tr> <td>Crawler length x width</td> <td>975mm x 200mm</td> </tr> <tr> <td>Ground pressure</td> <td>0.44 kg / cm²</td> </tr> </table>	Drive	Hydrostatic type, stepless forward and reverse	Travel speed	0 - 2.2 km/h	Gradability	20°	Crawler length x width	975mm x 200mm	Ground pressure	0.44 kg / cm ²
Drive	Hydrostatic type, stepless forward and reverse										
Travel speed	0 - 2.2 km/h										
Gradability	20°										
Crawler length x width	975mm x 200mm										
Ground pressure	0.44 kg / cm ²										
Engine	<table border="0"> <tr> <td>Model</td> <td>Yanmar 2TNE68-ME</td> </tr> <tr> <td>Type</td> <td>2 cylinder water cooled diesel</td> </tr> <tr> <td>Rated output</td> <td>6.57 Kw / 2600 rpm</td> </tr> <tr> <td>Starting method</td> <td>Electric</td> </tr> <tr> <td>Fuel / Fuel tank capacity</td> <td>Diesel / 12L</td> </tr> </table>	Model	Yanmar 2TNE68-ME	Type	2 cylinder water cooled diesel	Rated output	6.57 Kw / 2600 rpm	Starting method	Electric	Fuel / Fuel tank capacity	Diesel / 12L
Model	Yanmar 2TNE68-ME										
Type	2 cylinder water cooled diesel										
Rated output	6.57 Kw / 2600 rpm										
Starting method	Electric										
Fuel / Fuel tank capacity	Diesel / 12L										
Remote control system	<table border="0"> <tr> <td>Type</td> <td>Cable remote controller, micro-speed mode, outrigger operation.</td> </tr> </table>	Type	Cable remote controller, micro-speed mode, outrigger operation.								
Type	Cable remote controller, micro-speed mode, outrigger operation.										
Dimensions	<table border="0"> <tr> <td>Length x Width x Height MC285CRM</td> <td>2715mm x 750mm x 1440mm</td> </tr> <tr> <td>Weight MC285CRM</td> <td>1720kg</td> </tr> </table>	Length x Width x Height MC285CRM	2715mm x 750mm x 1440mm	Weight MC285CRM	1720kg						
Length x Width x Height MC285CRM	2715mm x 750mm x 1440mm										
Weight MC285CRM	1720kg										
Standard equipment	Working light, hour-meter, 4-fall hook block, black rubber tracks.										
Optional equipment	White rubber tracks, single fall hook, two fall hook, searcher hook (300kg max. capacity, weight approx 30kg), radio remote control. Electric motor and moment limiter.										